

# BRITELINE GEN3



## Powerful, modular and dynamic floodlight platform

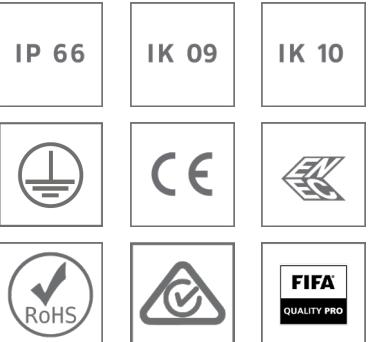
BRITELINE GEN3 is a high-power, FIFA Quality Pro Approved floodlighting platform, engineered to redefine large area illumination with unparalleled efficiency, versatility and precision.

Featuring advanced, modular optical technology, it delivers perfect light distribution with optimised uniformity and reduced glare, improving visibility and safety across a wide range of areas – such as indoor and outdoor sports infrastructures, logistics hubs, transport terminals, car parks and ports.

Seamlessly integrating with both local and remote lighting control systems, BRITELINE GEN3 offers real-time adaptability, enabling on-demand lighting adjustments, energy optimisation and streamlined operational management.

Whether you're illuminating a stadium, securing a logistics site or optimising large-scale operations, BRITELINE GEN3 puts total control at your fingertips.

Upgrade your lighting infrastructure with BRITELINE GEN3 and step into the future of high-performance floodlighting.



LARGE AREAS



SPORT FACILITIES

## Concept

Made with high-grade aluminium alloy, BRITELINE GEN3 combines robust durability with a lightweight structure, ensuring long-lasting performance while minimising stress on infrastructure.

Available in three sizes, BRITELINE GEN3 offers one, two, or three independently adjustable lighting modules, providing unrivalled flexibility to meet the unique requirements of any lighting project. Each module can be individually aimed, allowing for fine-tuned photometric distribution, and ensuring optimum illumination exactly where it's needed.

This FIFA Quality Pro approved floodlight delivers independently validated lighting performance that aligns with the highest professional football standards. Equipped with state-of-the-art modular optics, BRITELINE GEN3 delivers exceptional light precision, uniformity and efficiency. By directing light only where it's needed, it enhances safety and performance in sports facilities, logistics hubs and high-traffic areas. It provides crystal clear visibility, minimised glare and an exceptional lighting experience for players, spectators and workers alike.

Optional louvres ensure compliance with the strictest light pollution regulations.

The power supply can be integrated into the floodlight or installed remotely, reducing the weight load on the mast, simplifying maintenance and extending system longevity. This design allows for easier access to electronic components, improving serviceability while minimising downtime and operational costs.

BRITELINE GEN3 goes beyond traditional floodlighting; it is a dynamic, connected lighting solution. Compatible with remote or local control systems, it enables total management of your lighting installation. Optimise energy consumption with on-demand dimming, create dynamic lighting scenarios for sports events and special occasions, and instantly adjust lighting levels to meet the specific needs of any environment.



Ultra-modular platform, with individually adjustable lighting modules to provide perfect illumination for any large-scale indoor or outdoor application.



State-of-the-art optics deliver exceptional uniformity and targeted illumination, enhancing visibility and ensuring compliance with light pollution regulations (optional louvres available).

## TYPES OF APPLICATION

- LARGE AREAS
- SPORT FACILITIES

## KEY ADVANTAGES

- Flexibility: modular approach for high-power applications
- Adjustable inclination for optimised photometry and uniformity
- Highly efficient light distributions reduce the quantity of luminaires to be installed
- Excellent uniformity and significant energy savings
- Intelligent lighting via remote control
- Perfect photometric control avoids any glare or intrusion
- Lightweight, simple and robust design
- FIFA Quality Pro approved



Seamlessly integrates with control systems, enabling real-time lighting adjustments, dynamic scenarios and energy optimisation.



Lightweight aluminium structure reduces wind resistance and infrastructure stress, while remote power options simplify maintenance.

BRITELINE GEN3 | BRITELINE GEN3 1



BRITELINE GEN3 | BRITELINE GEN3 2



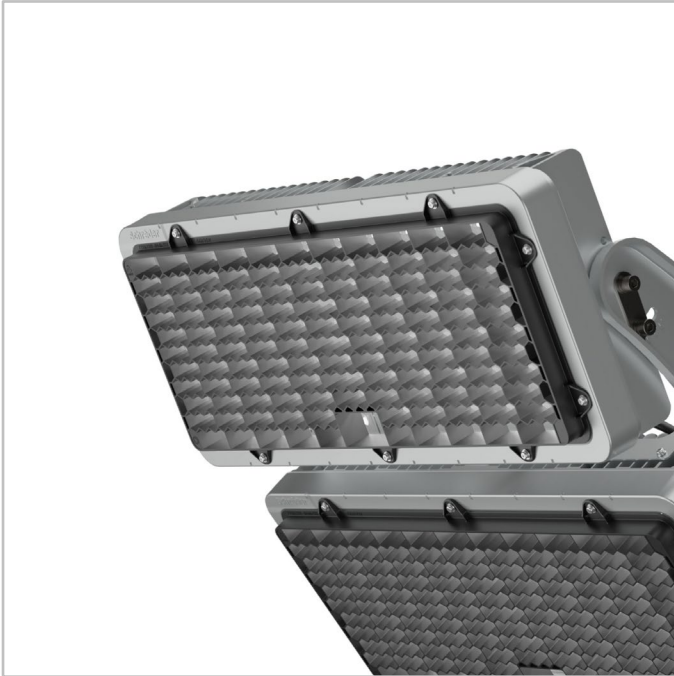
BRITELINE GEN3 | BRITELINE GEN3 3



BRITELINE GEN3 | With integrated louvres for optimal photometric precision



BRITELINE GEN3 | With external louvres for flexible control of light distribution on site



**GENERAL INFORMATION**

Circle Light label	Score ≥90 - The product fully meets circular economy requirements
Driver included	Yes
CE mark	Yes
ENEC certified	Yes
ROHS compliant	Yes
RCM mark	Yes
FIFA Quality Pro	Yes
Testing standard	EN 60598-1 EN 60598-2-1 IEC 62262:2002 IEC TR 62778:2014 IEC 62493 EN 60598-2-5

**HOUSING AND FINISH**

Housing	Aluminium
Optic	Polycarbonate
Protector	Tempered glass Polycarbonate (with integrated lenses)
Housing finish	Polyester powder coating 1500hrs NSS resistance (anodised extruded parts + polyester powder coated die-cast parts)
Tightness level	IP 66
Impact resistance	IK 09, IK 10
Vibration test	Compliant with ANSI C 136-31 standard, 3G load

· IK 10 only for the optical unit equipped with a polycarbonate protector

**OPERATING CONDITIONS**

Operating temperature range (Ta)	-40°C up to +50°C / -40° F up to 122°F
----------------------------------	--

· Depending on the luminaire configuration. For more details, please contact us.

**ELECTRICAL INFORMATION**

Electrical class	Class I EU
Nominal voltage	200-480VAC – 50-60Hz
Surge protection options (kV)	10 20
Electromagnetic compatibility (EMC)	EN 55015 / EN 61000-3-2 / EN 61000-3-3 / EN 61547
Control protocol(s)	DALI-2, DMX-RDM
Control options	Remote management
Socket	Zhaga (optional) NEMA 7-pin (optional)
Associated control system(s)	Schröder ITERRA

· NEMA and Zhaga socket optionally available with the ITERRA Basic Box and GEARBLAST KIT

· The product warranty is void if the product is not installed with its dedicated surge protector

**OPTICAL INFORMATION**

LED colour temperature	3000K (Warm White WW 730) 3000K (Warm White WW 830) 4000K (Neutral White NW 740) 4000K (Neutral White NW 840) 4000K (Neutral White NW 940) 5700K (Cool White CW 757) 5700K (Cool White CW 857) 5700K (Cool White CW 957)
Colour rendering index (CRI)	>70 (Warm White WW 730) >80 (Warm White WW 830) >70 (Neutral White NW 740) >80 (Neutral White NW 840) >90 (Neutral White NW 940) >70 (Cool White CW 757) >80 (Cool White CW 857) >90 (Cool White CW 957)
ULOR	0%
ULR	0%

· ULOR may be different according to the configuration. Please consult us.

· ULR may be different according to the configuration. Please consult us.

**LIFETIME OF THE LEDS @ TQ 25°C**

All configurations	120,000h - L96
--------------------	----------------

· Lifetime may be different according to the size/configurations. Please consult us.

## DIMENSIONS AND MOUNTING

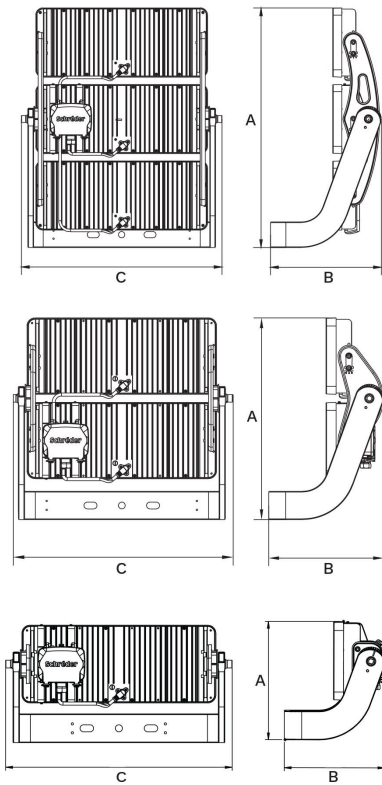
AxBxC (mm   inch)	BRITELINE GEN3 1 : 395x362x706   15.6x14.3x27.8 BRITELINE GEN3 2 : 645x395x707   25.4x15.6x27.8 BRITELINE GEN3 3 : 846x415x707   33.3x16.3x27.8
-------------------	---

Weight (kg   lbs)	BRITELINE GEN3 1 : 12.8-14.4   28.2-31.7 BRITELINE GEN3 2 : 20.5-23.8   45.1-52.4 BRITELINE GEN3 3 : 28.3-33.4   62.3-73.5
-------------------	--

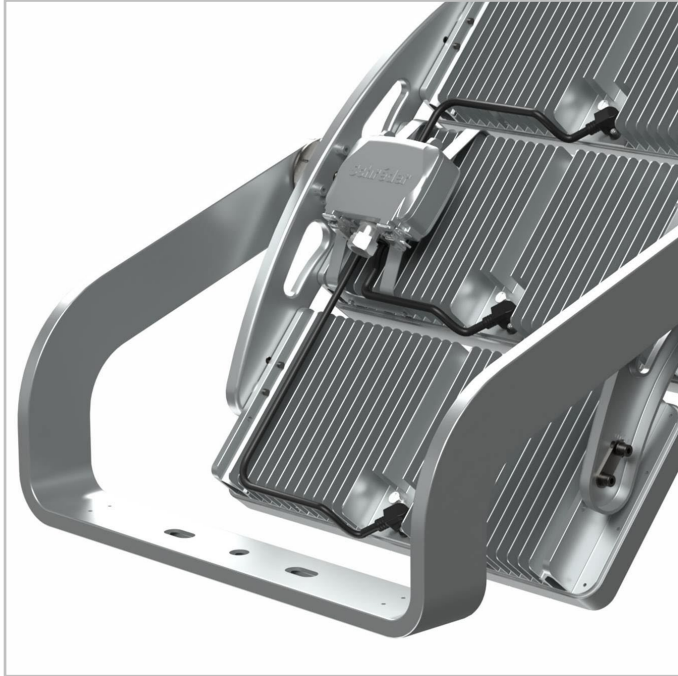
Aerodynamic resistance (CxS)	BRITELINE GEN3 1 : 0.17 BRITELINE GEN3 2 : 0.31 BRITELINE GEN3 3 : 0.45
------------------------------	---

Mounting possibilities	Bracket enabling adjustable inclination
------------------------	---

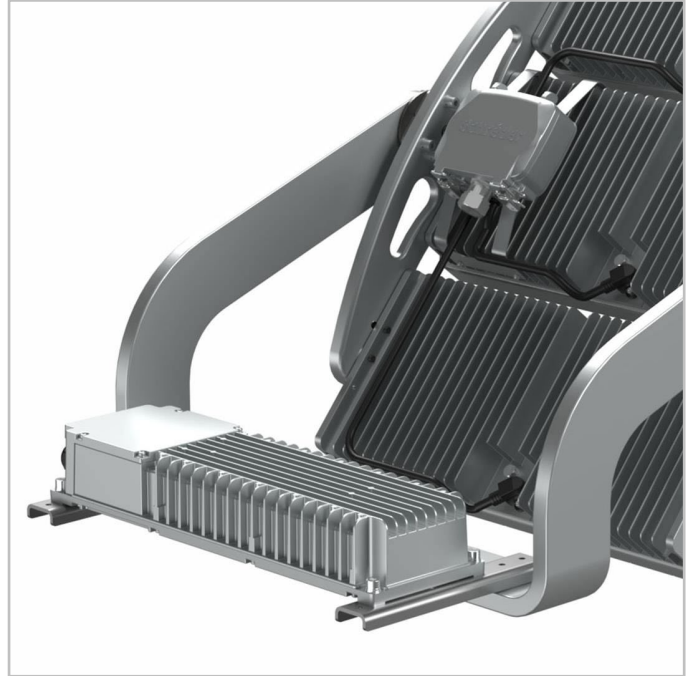
- For more information about mounting possibilities, please consult the installation sheet.
- Size and weight may be different according to the configuration. Please consult us for more information.

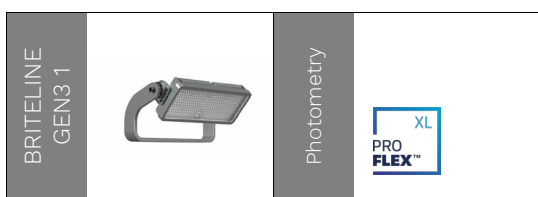


BRITELINE GEN3 | High-mast mounting fork  
(with remote driver)



BRITELINE GEN3 | High-mast mounting fork  
(with integrated driver)





Number of LEDs	Luminaire output flux (lm)																Power consumption (W)		Luminaire efficacy (lm/W)
	Warm White WW 730		Warm White WW 830		Neutral White NW 740		Neutral White NW 840		Neutral White NW 940		Cool White CW 757		Cool White CW 857		Cool White CW 957				
	Min	Max	Min	Max	Min	Max	Min	Max	Min	Max	Min	Max	Min	Max	Min	Max	Min	Max	Up to
234	86400	88300	80900	82700	93800	95800	86400	88300	66800	68200	91000	93000	86400	88300	74100	75700	630	630	152
351	68800	101700	64500	95300	74700	110400	68800	101700	53200	78600	72500	107100	68800	101700	59000	87200	620	620	178

Tolerance on LED flux is ± 7% and on total luminaire power ± 5 %



Number of LEDs	Luminaire output flux (lm)																Power consumption (W)		Luminaire efficacy (lm/W)
	Warm White WW 730		Warm White WW 830		Neutral White NW 740		Neutral White NW 840		Neutral White NW 940		Cool White CW 757		Cool White CW 857		Cool White CW 957				
	Min	Max	Min	Max	Min	Max	Min	Max	Min	Max	Min	Max	Min	Max	Min	Max	Min	Max	Up to
468	173200	176900	162200	165700	187800	191900	173200	176900	133800	136700	182300	186300	173200	176900	148400	151700	1250	1250	154
702	137400	203000	128600	190100	149000	220200	137400	203000	106100	156800	144600	213800	137400	203000	117700	174000	1220	1220	181

Tolerance on LED flux is ± 7% and on total luminaire power ± 5 %



Number of LEDs	Luminaire output flux (lm)																Power consumption (W)		Luminaire efficacy (lm/W)
	Warm White WW 730		Warm White WW 830		Neutral White NW 740		Neutral White NW 840		Neutral White NW 940		Cool White CW 757		Cool White CW 857		Cool White CW 957				
	Min	Max	Min	Max	Min	Max	Min	Max	Min	Max	Min	Max	Min	Max	Min	Max	Min	Max	Up to
702	259400	265100	242900	248200	281400	287500	259400	265100	200400	204800	273200	279100	259400	265100	222400	227200	1860	1860	155
1053	206100	304500	193000	285200	223500	330300	206100	304500	159200	235200	217000	320700	206100	304500	176600	261000	1830	1830	181

Tolerance on LED flux is ± 7% and on total luminaire power ± 5 %