

STYLAGE bracket



The STYLAGE bracket - just like the luminaire of the same name - combines a classic style with a touch of modernism. It creates a distinctive ambiance for both historical centres, to respect their character, and more modern spaces and environments.

This large family of brackets adapts to your needs by offering multiple variants (single, double, lateral and wall).

It is made of die-cast aluminum and is available in all standard Schröder colours.

Certified for the loads defined in EN40, the STYLAGE bracket range can be installed on poles for CE marking.



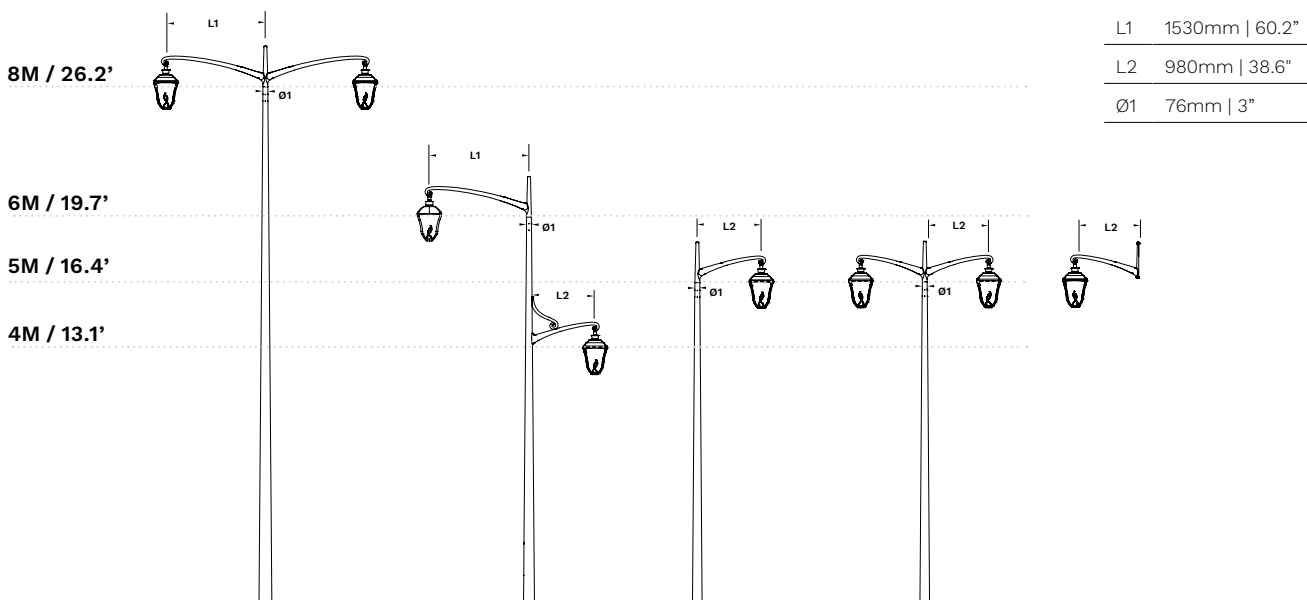
Technical information

GENERAL

| | |
|---------|---|
| Housing | Die-cast aluminum |
| Finish | Polyester powder-coating |
| Colour | AKZO 900 grey sanded Any RAL or AKZO colour upon request |

| | |
|--------------------|------------------------|
| Pull wire included | Yes |
| Sea-side coating | Available upon request |

DIMENSIONS



PRODUCT VARIANTS

| Type | Length (mm) | Reference | To pole | | | Wall | To luminaire |
|--|-------------|-----------|-----------------------|-------------------------|--------------------|------|---|
| | | | Diameter (mm) | Tube penetrating (male) | Enclosing (female) | | Suspended 1" female (for male interface luminaire side) |
| STYLAGE bracket - top single 1" | 980 | STY1100P | Ø76 | x | X | | X |
| STYLAGE bracket - top single 1" | 1530 | STY1200P | Ø76 | X | | | X |
| STYLAGE bracket - top double 1" | 980 | STY2100P | Ø76 | x | X | | X |
| STYLAGE bracket - top double 1" | 1530 | STY2200P | Ø76 | X | | | X |
| STYLAGE bracket - lateral 1" with scroll | 980 | STY3050P | Lateral on pole > Ø90 | | | | X |
| STYLAGE bracket - wall 1" | 980 | STY4050P | | - | | x | X |

Note: this Information is to be combined with the specific technical drawing.

LUMINAIRE COMPATABILITY

| Family | Type | Length (mm) | Reference | ALBANY Midi | FLEXIA Midi | | CITEA NG | STYLAGE |
|-----------------|--------------------------------|-------------|-----------|-----------------------------|---|---|-----------------------------|-----------------------------------|
| | | | | Suspended male on female 1" | Suspended with fixed 1" gas mounting S3 | Suspended female on male 1" adjustable S5 | Suspended male on female 1" | Suspended 1" male on female fixed |
| STYLAGE bracket | Top single 1" Ø76 | 980 | STY1100P | x | x | x | x | x |
| STYLAGE bracket | Top single 1" Ø76 | 1530 | STY1200P | - | x | x | - | x |
| STYLAGE bracket | Top double 1" Ø76 | 980 | STY2100P | x | x | x | x | x |
| STYLAGE bracket | Top double 1" Ø76 | 1530 | STY2200P | - | x | x | - | x |
| STYLAGE bracket | Lateral on pole 1" with scroll | 980 | STY3050P | - | x | x | - | x |
| STYLAGE bracket | Wall 1" | 980 | STY4050P | x | x | x | x | x |

x = standard available

INFORMATION FOR EN40 CALCULATION

| Name | Reference | Type | Length (mm) | Centre of pressure on X (mm) | Centre of pressure on Z (mm) | Endpoint bracket on X (mounting point - mm) | Endpoint bracket on Z (mounting point - mm) | CxS (m ²) | Weight (kg) |
|--|-----------|---------|-------------|------------------------------|------------------------------|---|---|-----------------------|-------------|
| STYLAGE bracket - top single 980 1" | STY1100P | Single | 980 | 282 | 347 | 980 | 208 | 0.19 | 8 |
| STYLAGE bracket - top single 1530 1" | STY1200P | Single | 1530 | 470 | 360 | 1530 | 257 | 0.24 | 9.5 |
| STYLAGE bracket - top double 980 1" | STY2100P | Double | 980 | 0 | 327 | 980 | 208 | 0.33 | 12.6 |
| STYLAGE bracket - top double 1530 1" | STY2200P | Double | 1530 | 0 | 360 | 1530 | 257 | 0.43 | 15.3 |
| STYLAGE bracket - lateral 980 1" with scroll | STY3050P | Lateral | 980 | 340 | 345 | 980 | 208 | 0.136 | 5.6 |

