

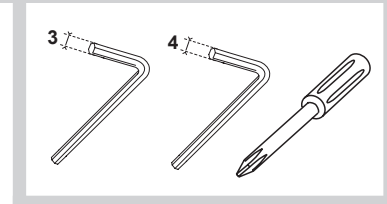
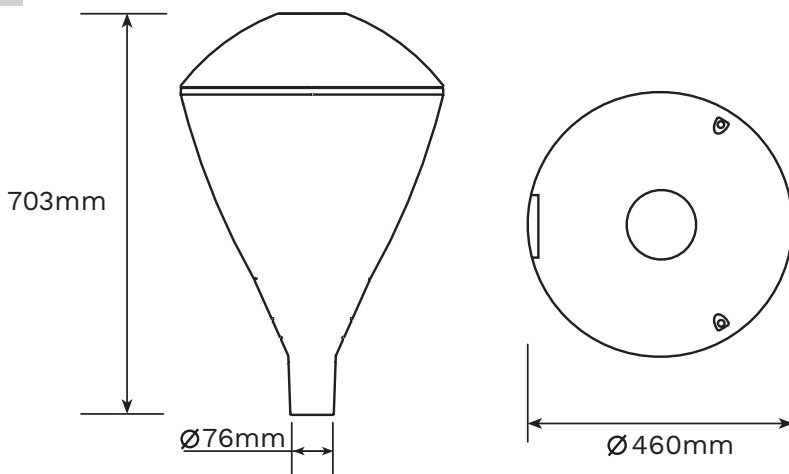
Schréder

KIO LED

Installation instructions

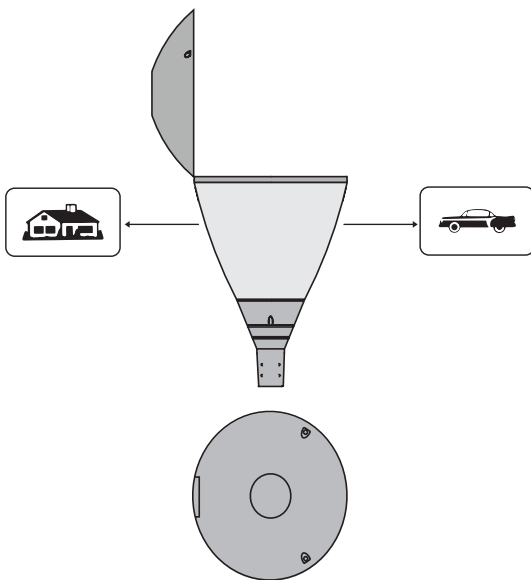


A

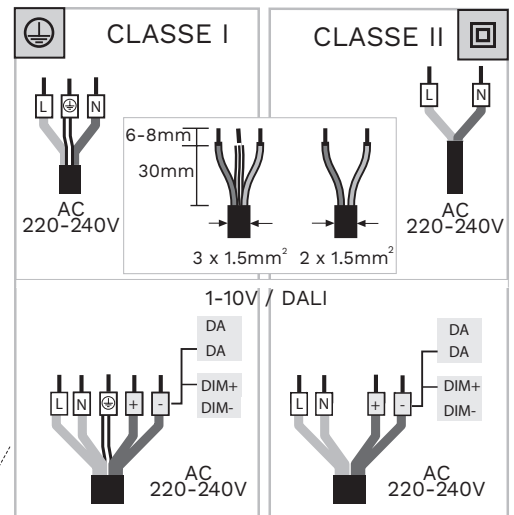
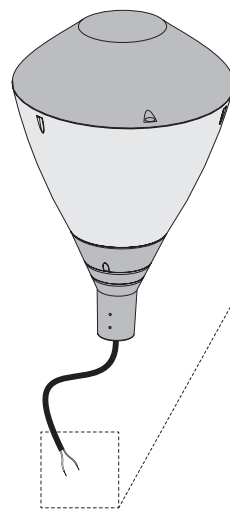


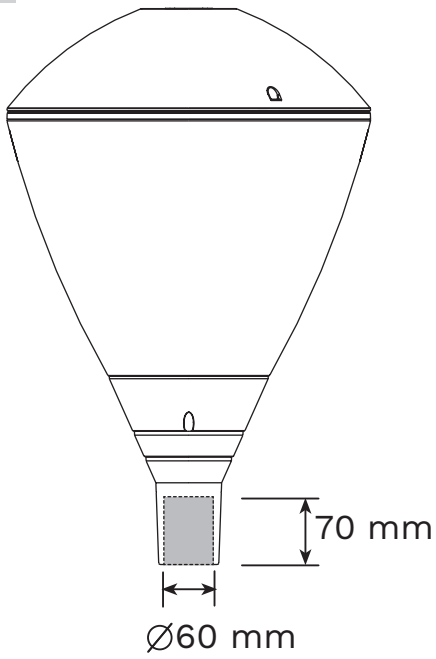
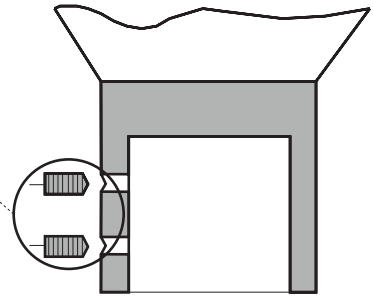
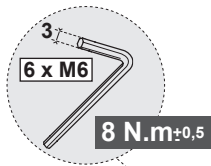
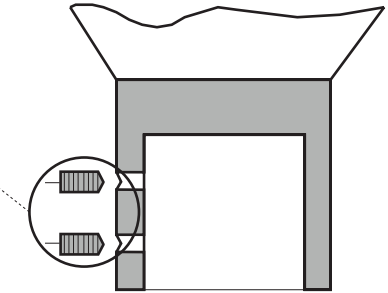
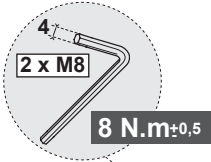
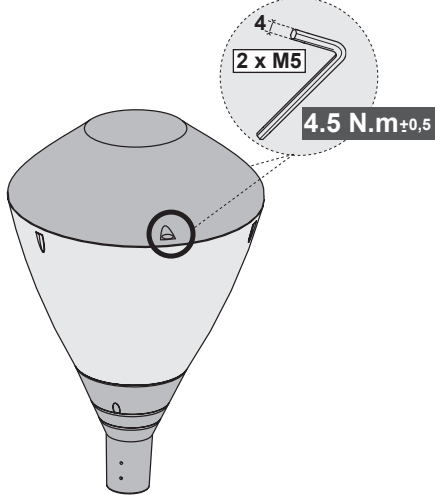
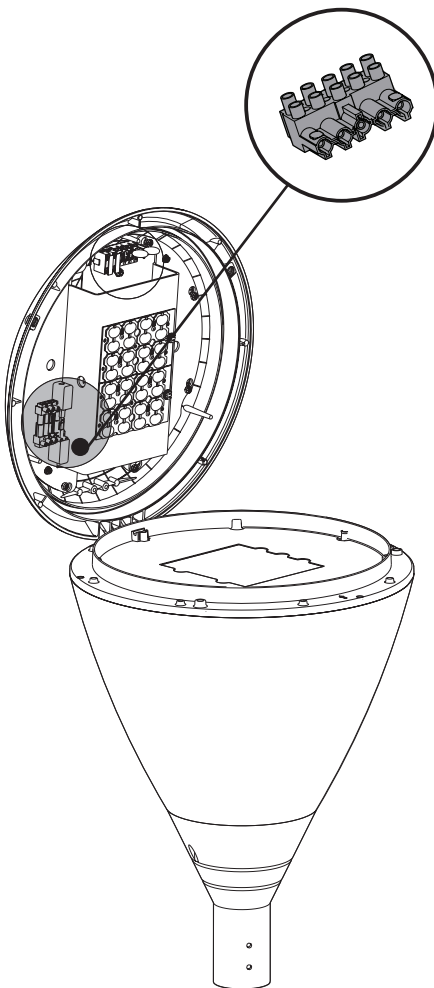
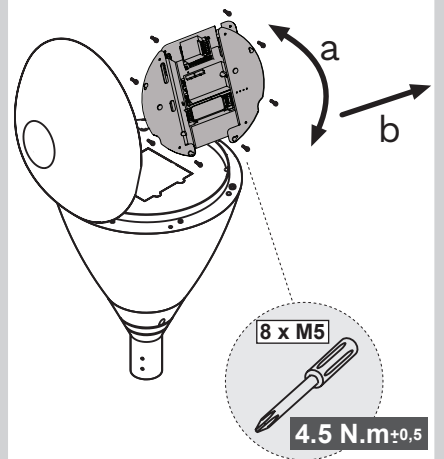
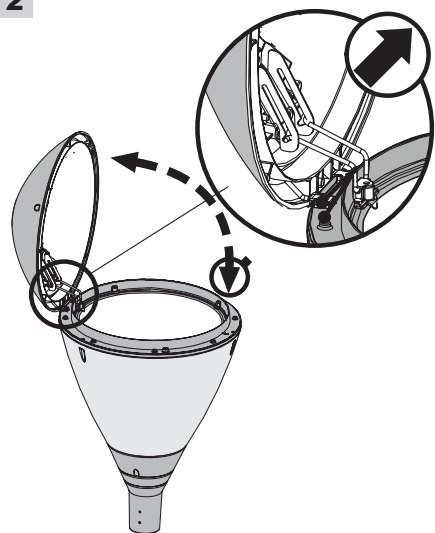
CxS	0.08m ²	3.1 in ²
kg/lb	8.3kg	18.3lb

B



C



D**1****2****E 1****3****4****2****5**