

# INDU WALL PACK



## Comfort and efficiency for exterior lighting

Available in two sizes, INDU WALL PACK outperforms all conventional downlight fixtures by providing a bright and long lasting light for outdoor wall mounted applications.

Its slim design ensures a discreet integration without compromising on performance.

INDU WALL PACK delivers a bright white light to ensure perfect visibility and comfort at all times.

Thanks to its high optical performance and strong mechanical design, it can achieve substantial energy and maintenance savings.

IP 65

IK 09



RAILWAY  
STATIONS &  
METROS



CAR PARKS



INDUSTRIAL  
HALLS &  
WAREHOUSES



SPORT  
FACILITIES

## Concept

The INDU WALL PACK range provides a cost-effective and environmentally friendly LED alternative to fixtures fitted with HID or incandescent lamps. It creates safe and comfortable environments with significant energy and maintenance savings.

These wall-mounted downlight or uplight fixtures are composed of a two-piece housing with a powdercoat paint finish; a back plate in die-cast aluminium and a front part in polycarbonate with a polycarbonate protector.

The design of INDU WALL PACK facilitates its installation. Once the mounting plate is fixed to the wall, the optical unit can be easily wired and screwed onto the plate.

Suited to various applications such as building exteriors, outdoor corridors, garages, paths, stairs and other outdoor environments, INDU WALL PACK not only provides energy efficient lighting, it enhances safety and comfort for people working or visiting facilities.



INDU WALL PACK is available in two sizes to deliver the most suitable solution.



This cost-effective downlight fixture has a robust and simple design.

## Types of application

- RAILWAY STATIONS & METROS
- CAR PARKS
- INDUSTRIAL HALLS & WAREHOUSES
- SPORT FACILITIES

## Key advantages

- High energy savings compared to systems with traditional discharge lamps
- Two sizes to provide the best solution
- Robust yet discreet design to blend into any environment
- High visual comfort
- White light with a high colour rendering index
- Easy installation with removable back plate



INDU WALL PACK is secured to the surface with 4 screws.



The removable back mounting plate facilitates installation on any surface.

## GENERAL INFORMATION

Recommended installation height	3m to 6m   10' to 20'
Driver included	Yes
CE Mark	Yes
ENEC certified	Yes
ROHS compliant	Yes
Testing standard	LM 79-08 (all measurements in ISO17025 accredited laboratory)

## HOUSING AND FINISH

Housing	Aluminium Composite materials
Protector	Polycarbonate
Housing finish	Polyester powder coating
Standard colour(s)	RAL 7040 window grey
Tightness level	IP 65
Impact resistance	IK 09

## OPERATING CONDITIONS

Operating temperature range (Ta)	-20 °C up to +50 °C / -4 °F up to 122 °F
----------------------------------	--

*· Depending on the luminaire configuration. For more details, please contact us.*

## ELECTRICAL INFORMATION

Electrical class	Class I EU
Nominal voltage	220-240V – 50-60Hz
Power factor (at full load)	0.9
Surge protection options (kV)	1 2
Electromagnetic compatibility (EMC)	EN 55015:2013/A1:2015, EN 61000-3-2:2014, EN 61000-3-3:2013, EN 61547:2009, EN 62493:2015
Control protocol(s)	1-10V

## OPTICAL INFORMATION

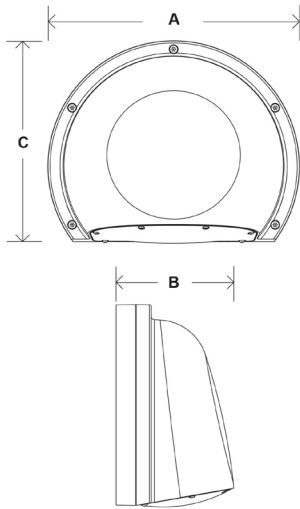
LED colour temperature	3000K (Warm White) 4000K (Neutral White) 5700K (Cool White)
Colour rendering index (CRI)	>80 (Warm White) >80 (Neutral White) >80 (Cool White)

## LIFETIME OF THE LEDS @ TQ 25°C

All configurations	50,000h - L95
--------------------	---------------

## DIMENSIONS AND MOUNTING

AxBxC (mm   inch)	INDU WALL PACK 1 - 250x117x201   9.8x4.6x7.9 INDU WALL PACK 2 - 320x130x257   12.6x5.1x10.1
Weight (kg   lbs)	INDU WALL PACK 1 - 1.4   3.1 INDU WALL PACK 2 - 2.1   4.6
Mounting possibilities	Surface mounting





Luminaire	Number of LEDs	Current (mA)	Luminaire output flux (lm) Cool White 857		Luminaire output flux (lm) Neutral White 840		Luminaire output flux (lm) Warm White 830		Power consumption (W)	Luminaire efficacy (lm/W)
			Min	Max	Min	Max	Min	Max		
INDU WALL PACK 1	20	70	1600	1600	1500	1500	1400	1400	15	Up to 107
INDU WALL PACK 2	44	77	3800	3800	3600	3600	3400	3400	35	109

Tolerance on LED flux is  $\pm 7\%$  and on total luminaire power  $\pm 5\%$

## UNIVERSAL

