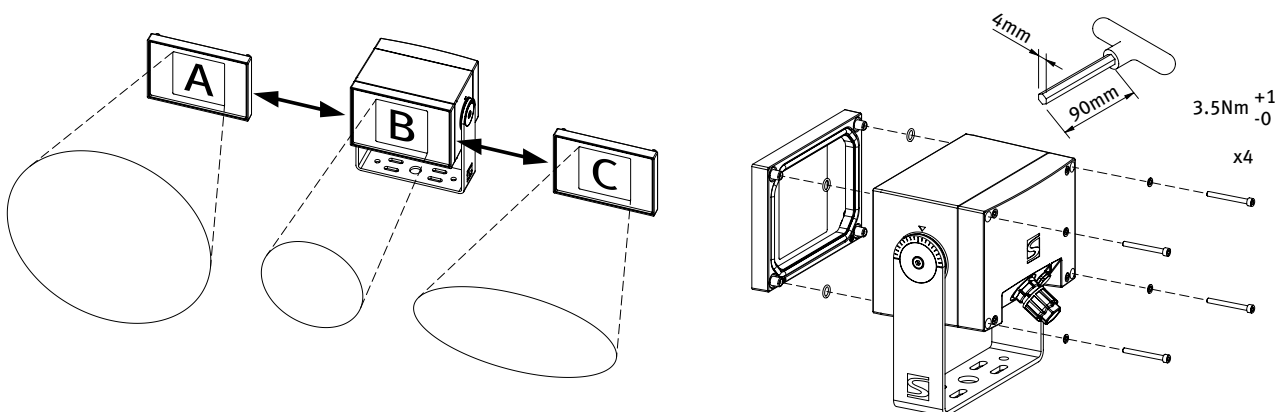
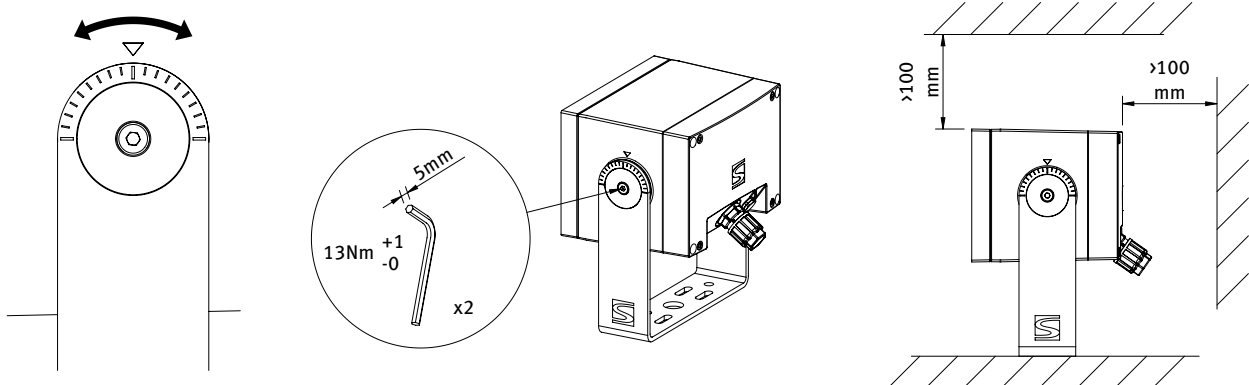
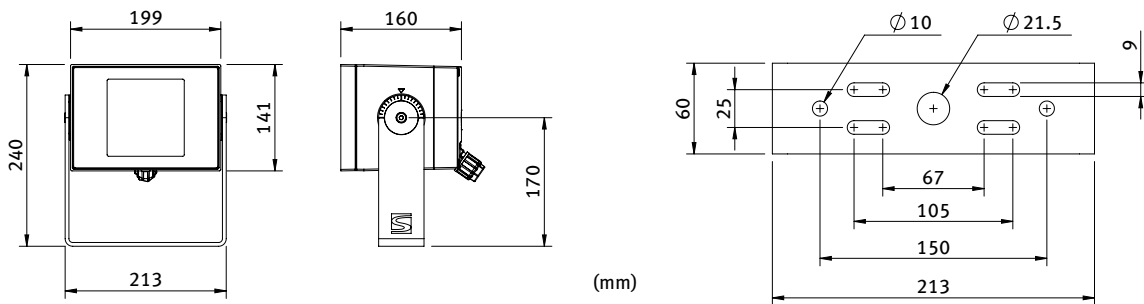
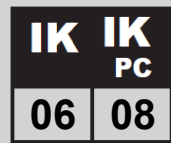
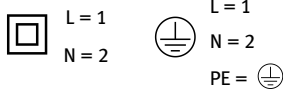
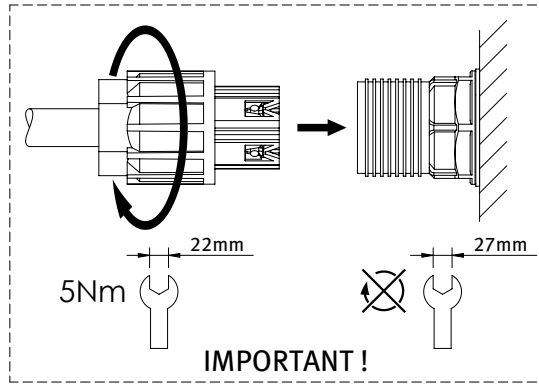
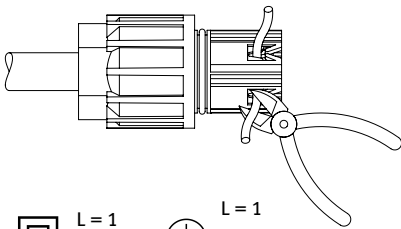
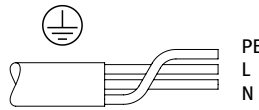
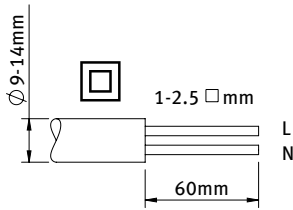


Schröder 

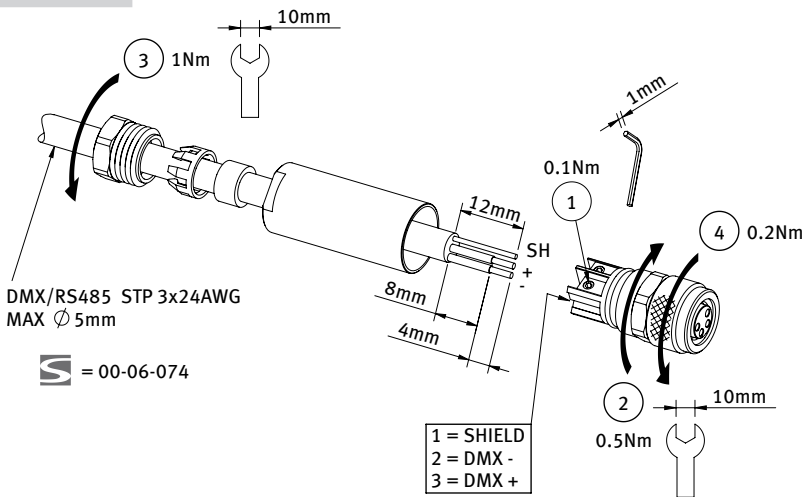
SCULP DOT



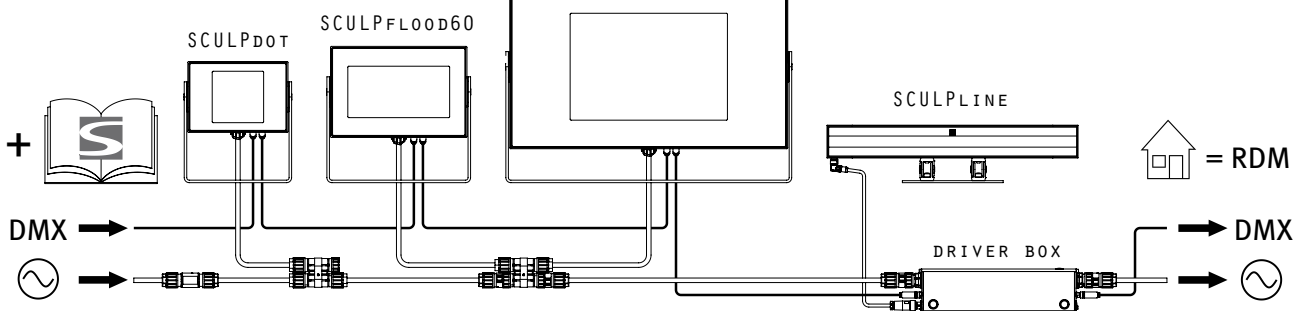
120-277V 50-60Hz



DMX



SCULPFLOOD150



Photobiological Warning - SCULPDO T

Risk Group 2
CAUTION Possibly hazardous optical radiation emitted from this product. Do not stare at operating lamp. May be harmful to the eyes.

Viewing Distances for Photobiological Risk Groups

Specification	Risk Group		
	2 - Moderate Risk	1 - Low Risk	0 - Exempt
Osram NW	0 - 3.75m	3.75 - 10.65m	10.65m+
Osram RGBx	0 - 4m	4 - 6.8m	6.8m+
Led Engine RGBx	0 - 0.5m	0.5 - 3.4m	3.45m+