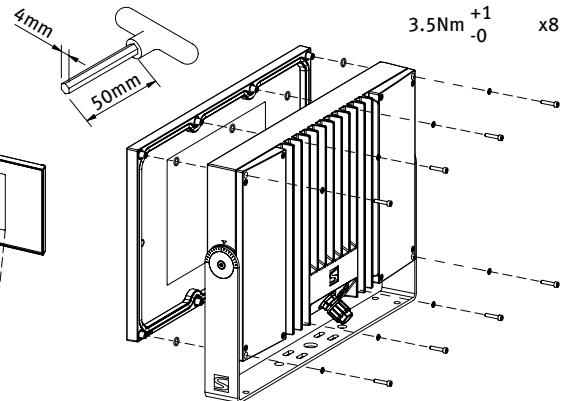
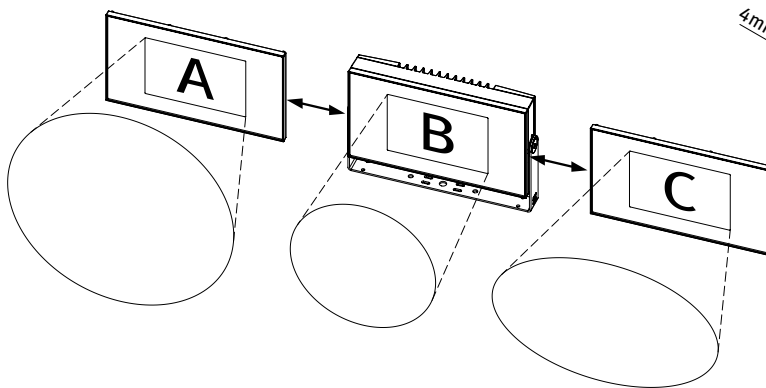
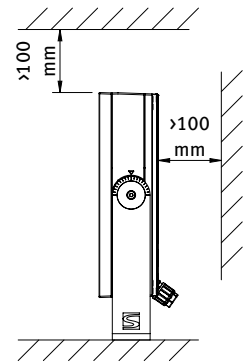
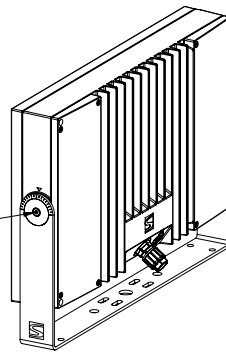
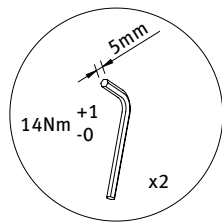
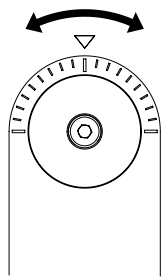
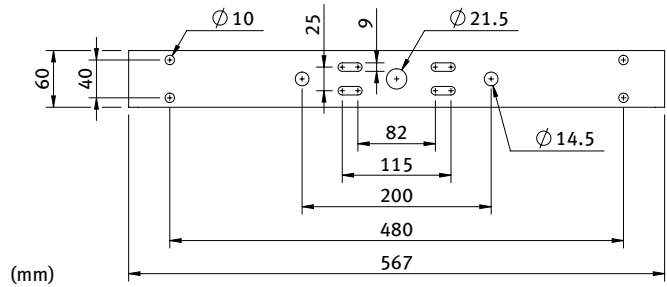
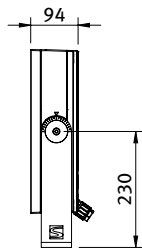
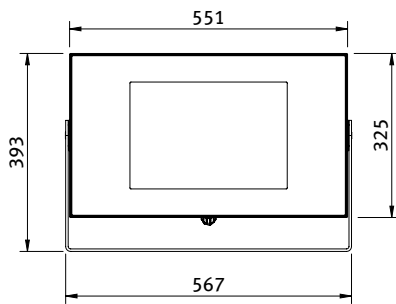
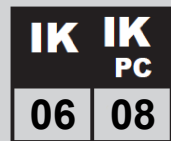
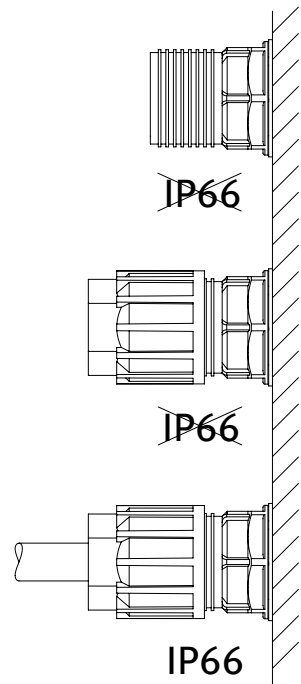
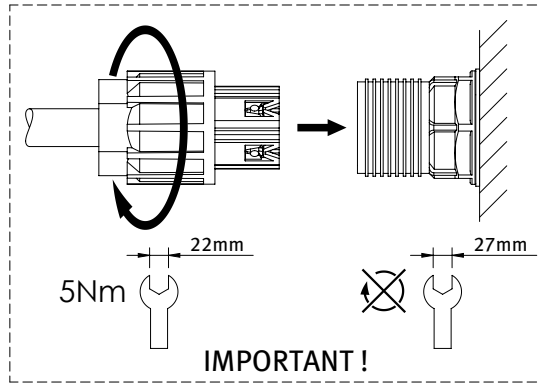
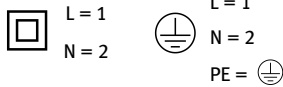
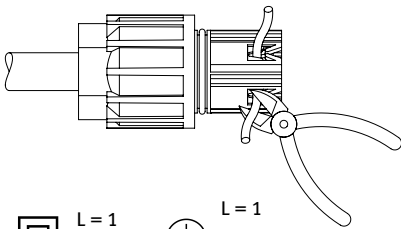
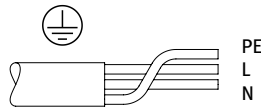
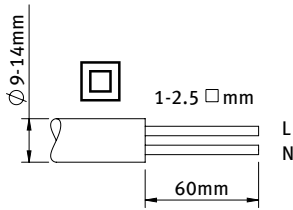


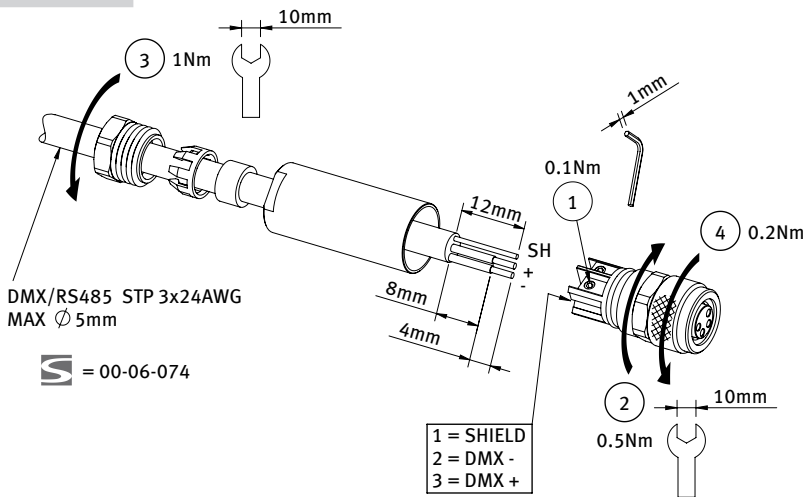
SCULPFLOOD150



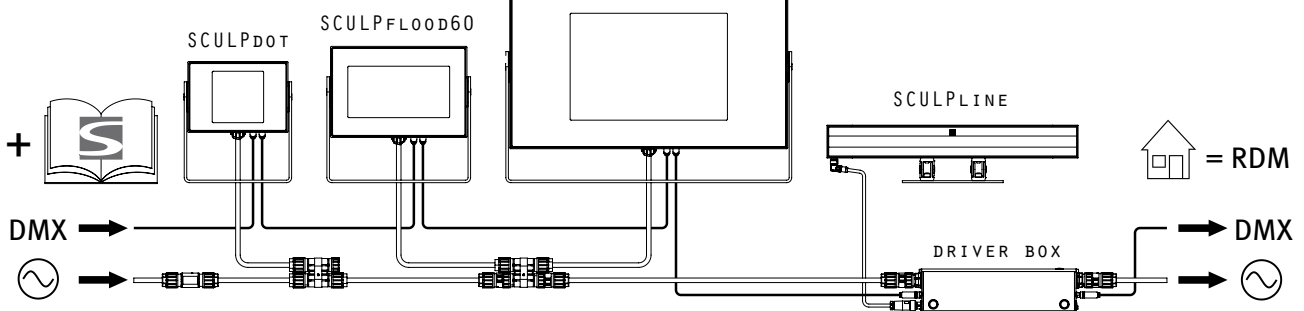
120-277V 50-60Hz 



DMX



SCULPFLOOD150



Photobiological Warning - SCULPFLOOD150

Risk Group 2
CAUTION Possibly hazardous optical radiation emitted from this product.
Do not stare at operating lamp.
May be harmful to the eyes.