

### ORDERING INFORMATION

All CITRINE fixtures ship with the following standard:

- SV (120-277V, electronic driver)
- Feed-Through / Daisy-Chain wiring
- 6" diameter integral mounting flange with 4 bolt holes
- IP66 rated integral driver and optical unit
- IK10 impact rated polycarbonate protector
- Non-dimmable
- 4kV surge protection
- 5 year warranty

Sample Configuration: CITRIM-US-10L570-NW-PC03-T3S-DG-\_\_-\_\_

1. Specify **BASE LUMINAIRE**
2. Select **OPTIONS**



Clear Protector



Diffuse Protector

### BASE LUMINAIRE

Citrine	Flux Code	Polycarbonate Protector - Optic	Finish
<b>CITRIC-US</b> (12" MICRO)	<b>10 LED OPTIONS:</b> <b>10L450-WW</b> (10 LEDs, 450 lms, 6W, 3000K WW)	<b>10 LED OPTIONS:</b> <b>PC03-T3S</b> (Clear Protector, Asymmetric 2289 distribution)	<b>DG</b> (AKZO 900GS - dark grey)
<b>CITRIM-US</b> (20" MINI)	<b>10L570-NW</b> (10 LEDs, 570 lms, 6W, 4000K NW)		<b>LG</b> (RAL 7001T - light grey)
<b>CITRID-US</b> (40" MIDI)	<b>20 LED OPTIONS:</b> <b>20L780-WW</b> (20 LEDs, 780 lms, 9W, 3000K WW) <b>20L980-NW</b> (20 LEDs, 980 lms, 9W, 4000K NW)	<b>20 LED OPTIONS:</b> <b>PC03-T5S</b> (Clear Protector, Symmetric 2289 distribution) <b>PC04-T5S</b> (Diffuse Protector, Symmetric 2289 distribution)	<b>OTHER RAL:</b> Specify RAL Code RAL ____M (matte) RAL ____B (semi-gloss) RAL ____T (textured)

#### Shielding Options: ^



PG - Protection Grid



LS - 120° Light Shield

#### Other Options: ^

- ZZ** - Custom cable type
- AA** - Special wattage labeling
- A6** - Oceanside (3000 hour paint testing)
- PXXX** - Custom photometry
- CXXX** - Custom cables
- LXXX** - Custom labeling
- FXXX** - Custom finish/color
- OXXX** - Other
- AB** - Bird spikes

#### NOTES:

- ^ Additional cost may apply



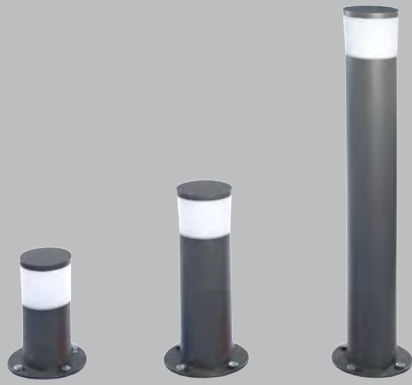
ANSI/UL 1598/CAN/CSA C22.2 No.250.0-08, 3<sup>rd</sup> Ed.

Preliminary data, date of revision: 07/13/2017

Copyright © Schröder Lighting LLC 2017 - Executive Publisher: Fred Kern. 1415 West 22nd Street, T Floor, Oak Brook, IL 60523. The information, descriptions and illustrations herein are of only an indicative nature. Due to advanced developments, we may be required to alter the characteristics of our products without notice. As these may present different characteristics according to the requirements of individual countries, we invite you to consult us.

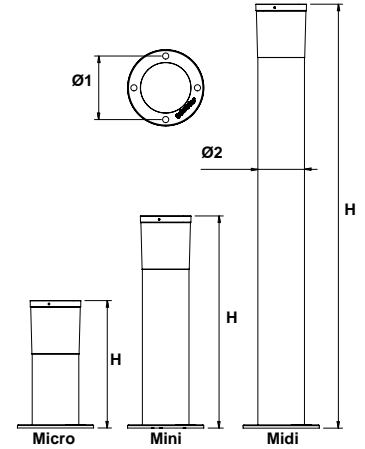


Schröder Lighting LLC  
1415 West 22nd Street, T Floor Oak Brook, IL 60523 USA  
T 847-621-5130  
www.schröder.com



DIMENSIONS AND WEIGHT

	Micro	Mini	Midi
Ø1	150mm 5.91"	150mm 5.91"	150mm 5.91"
Ø2	110mm 4.33"	110mm 4.33"	110mm 4.33"
H	300mm 11.81"	500mm 19.68"	1000mm 39.37"
Weight	2.0kg 4.41lbs	2.7kg 6.06lbs	4.3kg 9.59lbs



SPECIFICATIONS - LUMINAIRE

- Optical compartment tightness level: IP 66 (\*)
- Power compartment tightness level: IP 54 (\*)
- Impact resistance (polycarbonate): IK 10 (\*\*)
- L70: 100,000+ hours
- CCT: 3000K, 4000K
- Electrical safety class: Class 1
- Typical bollard spacing: 15 - 25ft (4.6 - 7.6m)

Materials

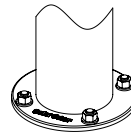
- Body: Aluminium
- Protector: Polycarbonate
- Color: AKZO 900 gray sanded  
(any other AKZO or RAL color upon request)

ADVANTAGES

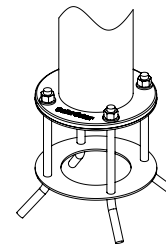
- Photometry is designed to maximize the spacing between bollards, lowering initial investment
- Compact and versatile
- Maximized savings in energy and maintenance costs
- IP 66 tightness level and Thermix® coating ensures long-lasting performance
- Optional control solutions: photocell and/or Owlet® control systems
- Surge protection: 4kV standard, (10kV optional)
- 3 sizes for flexibility and consistency in application
- 2 photometric options
- Applications: Parks, Bike paths, Parking facilities, Business/ University campuses, City squares

(\*) according to IEC - EN 60598  
(\*\*) according to IEC - EN 62262

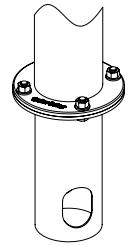
INSTALLATION



Standard on-ground mounting with 4 M12 bolts on a Ø150mm PCD



Bolt-cage mounting (for casting into concrete)



Bolt on-root (for setting into soft ground)



ANSI/UL 1598/CAN/CSA C22.2 No.250.0-08, 3<sup>rd</sup> Ed.  
Preliminary data, date of revision: 07/12/2017

PHOTOMETRY DETAIL

Photometry Detail - Neutral White (4000K) 70+ CRI

#LEDs	Optic	Typical Luminaire Output Flux (lm)*	Drive Current (mA)	Typical Luminaire Power Consumption, 120-277V (W)	Typical Luminaire Efficiency, 120-277V (lm/W)	Protector	BUG Rating
10	T3S (Asymmetric, 2289)	571	250	6	95	Clear	Bo U3 G1
20	T5S (Symmetric, 2289)	1113	250	9	124	Clear	B1 U3 G1
20	T5S (Symmetric, 2289)	844	250	9	94	Diffuse	Bo U3 G1

Photometry Detail - Warm White (3000K) 80+ CRI

#LEDs	Optic	Typical Luminaire Output Flux (lm)*	Drive Current (mA)	Typical Luminaire Power Consumption, 120-277V (W)	Typical Luminaire Efficiency, 120-277V (lm/W)	Protector	BUG Rating
10	T3S (Asymmetric, 2289)	457	250	6	76	Clear	Bo U2 G1
20	T5S (Symmetric, 2289)	890	250	9	99	Clear	Bo U3 G1
20	T5S (Symmetric, 2289)	675	250	9	75	Diffuse	Bo U3 G1

LIGHT DISTRIBUTIONS

